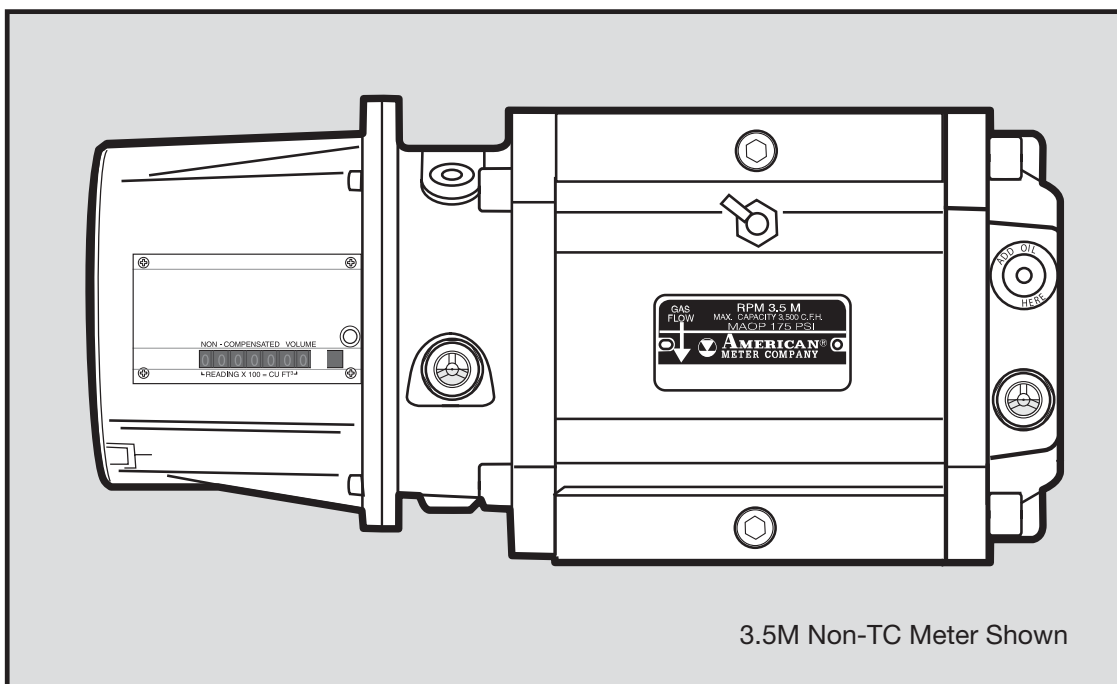


RPM Series™ Rotary Meter “C-Class”

Replacement Parts List

Line Mounted Models



**AMERICAN METER 5 YEAR LIMITED WARRANTY
RPM SERIES ROTARY METERS**

American Meter Co. Industrial Products Division (hereafter referred to as the Company) offers to supply Rotary Meters of exceptional design, material and workmanship. The company will correct any defect(s) in material or workmanship occurring during the period of one year after shipment (the "Warranty Start Date") providing the Purchaser has given the company immediate written notice of the defects.

In addition an extended 5-year warranty to the original owner in a permanent meter installation is offered against structural failure and for other identified components (list furnished by writing our general offices) from the Warranty Start Date under normal use, operation and maintenance.

The Company obligation under this warranty is limited at its option to repayment of the purchase price, repair, replacement, or furnishing a similar part upon inspection and confirmation of the defective condition.

THERE ARE NO OTHER WARRANTIES, EITHER EXPRESSED OR IMPLIED AND ANY OTHER WARRANTIES ARE HEREBY EXPRESSLY DISCLAIMED.

No allowance or reimbursements will be made for repairs or alterations unless made with the written consent first obtained from the Company.

In no event shall the Company liability to the customer, regardless of the reason, exceed the purchase price of the product. No claim of breach of warranty shall constitute a cause for cancellation of this contract or any part thereof.

The Company reserves the right to exclude from this warranty damages caused by any of the following:

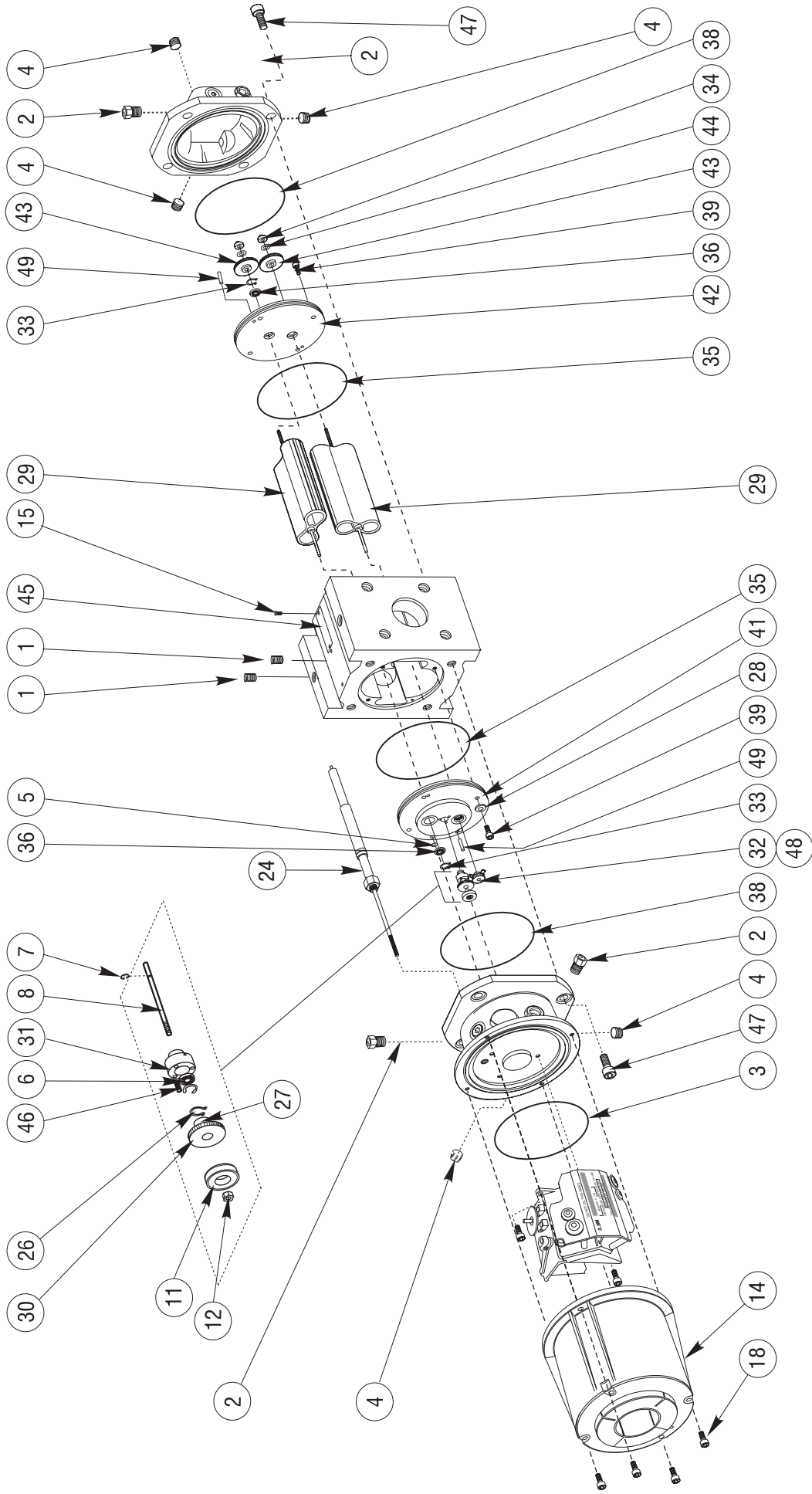
- Overpressurization beyond the badge rating of the meter.
- Snap acting loads.
- Work done, apparatus furnished, repairs or alterations made by others.
- Auxiliary equipment supplied not manufactured by the Company
- Less than specification performance caused by improper gas stream filtration, and improper installation.
- Collision, fire, theft, lightning, vandalism, explosion, natural disaster, or objects striking the meter.
- Misuse of the meter for applications and processes not originally designed for or recommended by the company.
- Corrosion due to improper environmental conditions, chemical treatments, after-market products and chemical reactions.
- Sealants applied as excessive or not recommended by the company.

Laws of the Commonwealth of Pennsylvania are applicable to this warranty.

⚠ CAUTION ⚠

“As a knowledgeable user of American Meter’s products, we are sure that you are aware that parts in the Company’s meters and regulators contain or are coated with heavy metals such as cadmium, zinc, lead and chromium. Obviously, therefore, repair or refurbishment of this equipment should take into account the presence of these materials and should comply with all state and federal requirements concerning worker protection, proper disposal and safety, including protection against exposure to dust and fumes.”

RPM Series Rotary Meter



Models 3.5M, 5.5M, 7M & 11M
CMTC Shown

Spare Parts List

ITEM#	DESCRIPTION	QTY.	METER SIZE							
			ALL SIZES	9.0C	1.5M	3.5M	5.5M	7M	11M	16M
1	Pipe Plug, 1/4" NPT	3	11970P036	11970P036	11970P036	11970P036	11970P036	11970P036	11970P036	11970P036
	Pipe Plug, 1/4" BSP-TR		11970P037	11970P037	11970P037	11970P037	11970P037	11970P037	11970P037	11970P037
2	Oil Site Glass	4	52993P002	52993P002	52993P002	52993P002	52993P002	52993P002	52993P002	52993P002
3	O Ring	1	42710P242	42710P242	42710P242	42710P242	42710P242	42710P242	42710P242	42710P242
4	Pipe Plug, 3/8"	6	56715P028	56715P028	56715P028	56715P028	56715P028	56715P028	56715P028	56715P028
6	Ball Bearing-C/shaft	2	56085P123	56085P123	56085P123	56085P123	56085P123	56085P123	56085P123	56085P123
7	Retaining Ring	1	92943P056	92943P056	92943P056	92943P056	92943P056	92943P056	92943P056	92943P056
8	Center Shaft	1	56187P269	56187P269	56187P269	56187P269	56187P269	56187P283	56187P283	56187P283
11	Magnet Assembly	1	55920G007	55920G007	55920G007	55920G007	55920G007	55920G007	55920G007	55920G007
14	Cover (Lexan)	1	529946123	529946123	529946123	529946123	529946123	529946123	529946123	529946123
	Cover (Lexan) w/hole	1	529946124	529946124	529946124	529946124	529946124	529946124	529946124	529946124
15	Drive Screw	AR	02197P001	02197P001	02197P001	02197P001	02197P001	02197P001	02197P001	02197P001
18	Socket Head Cap Screw	4	52533P020							
23	Register	1	See Page 6							
24	Transducer	1	See Page 7							
26	Retaining Ring	2		92943P053	92943P053	92943P053	92943P053	92943P053	92943P053	92943P053
28	Flat (Crush) Washer	4		70178P048	70178P048					70178P048
		8				70178P048	70178P048	70176P048	70178P048	
29	Piston Assembly	2		55004G002	55004G010	55004G017	55004G018	55004G014	55004G015	55004G016
30	Spur Gear (English)	1		52799P018	52799P017	52799P020	52799P014	52799P024	52799P026	52799P034
	Spur Gear (Metric)			52799P004	52799P006	52799P002	52799P007	52799P022	52799P024	52799P030
31	Bearing Holder	1		54509P021	54509P021	54509P020	54509P020	54509P022	54509P022	54509P022
32	Pinion Gear (English)	1		52799P019	52799P016	52799P013	52799P015	52799P023	52799P025	52799P033
32	Pinion Gear (Metric)			52799P005	52799P003	52799P001	52799P007	52799P021	52799P023	52799P029
33	Retaining Ring	4		92943P131	92943P131	92943P123	92943P123	92943P136	92943P136	92943P136
34	Hex Lock Nut	2		52625P003	52625P003	52625P002	52625P002	52625P004	52625P004	52625P004
35	O Ring Brg. Plate	2		42710P197	42710P197	42710P189	42710P189	42710P212	42710P212	42710P212
36	Ball Bearing	4		56085P125	56085P125	56085P122	56085P122	56085P126	56085P126	56085P126
38	O Ring - Case Cover Front	1		42710P240	42710P240	42710P188	42710P188	42710P211	42710P211	42710P211
	O Ring - Case Cover Back	1		42710P218	42710P218	42710P188	42710P188	42710P211	42710P211	42710P211
39	Socket Head Cap Screw	4		52533P016	52533P016					
		8				52533P016	52533P016	52533P025	52533P025	52533P025
41	Bearing Cover (D) Std.	1		54894P019	54894P019	54894P020	54894P020	54894P024	54894P024	54894P024
42	Bearing Cover (G) Std.	1		54894P010	54894P010	54894P008	54894P008	54894P023	54894P023	54894P023
43	Timing Gear	2		52995P003	52995P003					
		1				52995P001	52995P001	52995P004	52995P004	52995P004
		1				52995P002	52995P002	52995P005	52995P005	52995P005
44	Flat Washer	2		17614P039	17614P039	17614P173	17614P173	17614P175	17614P175	17614P178
45	Badge (English)	1		49036B001	49036B003	49036B005	49036B007	49036B009	49036B011	49036B013
	Badge (Metric)	1		49036B002	49036B004	49036B006	49036B008	49036B010	49036B012	49036B014

Spare Parts List

ITEM#	DESCRIPTION	QTY.	METER SIZE							
			ALL SIZES	9.0C	1.5M	3.5M	5.5M	7M	11M	16M
46	Socket Head Cap Screw	4		52533P018	52533P018	52533P028	52533P028	52533P026	52533P026	52533P026
47	Socket Head Cap Screw	12		52533P022	52533P022			52533P024	52533P024	52533P024
	Socket Head Cap Screw	8				52533P021	52533P021			
48	Set Screw	2				52534P004	52534P007	52534P005	52534P005	52534P005
49	Dowel Pin	4				52536P004	52536P004	52536P005	52536P005	52536P005
50	Eyebolt	2						12353P008	12353P008	12353P008

ITEM#	DESCRIPTION	RPM Meter Accessories (not shown)	
		PART NUMBER	
200	Security Seal Cap	52548P013	
201	Low Frequency Pulser Kits w/cable		
	Standard Meter 30-50 ms, Form A	93694K001	
	CMTC Meter 30-50 ms Form A, Comm Connector	93694K002	
	CMTC Meter 30-50 ms Form A, Military Connector	93694K003	
	CMTC Meter 100 ms Form A&C, Comm Connector	93694K005	
	CMTC Meter 100 ms Form A&C, Military Connector	93694K004	
202	Pete's Plug, ¼"	52258P001	
	Pete's Plug, 3/8"	52258P003	
203	Instrument Drive Kit	52994K001	
205	Installation Retrofit Kit, 2" Flange to 1 ½" NPT(M)	52996K001	
	Installation Kit, 2" ANSI 125/150	01122K001	
	Installation Kit, 3" ANSI 125/150	01122K002	
	Installation Kit, 4" ANSI 125/150	01122K003	
206	2" Gasket Strainer (80 Mesh)	94464P007	
	3" Gasket Strainer (80 Mesh)	94465P008	
	4" Gasket Strainer (80 Mesh)	94465P009	
207	Lubricating Oil (8 oz.) Bottle	52140K001	
208	Differential Test Kit (9.0C, 1.5M, 3.5M, 5.5M)	52920K009	
	Differential Test Kit (7M, 11M)	52920K010	
209	Reverse Flow Direction Conversion Kit (9.0C, 1.5M)	52918K001	
	Reverse Flow Direction Conversion Kit (3.5M)	52920K007	
	Reverse Flow Direction Conversion Kit (5.5M)	52921K001	
	Reverse Flow Direction Conversion Kit (7M)	52932K001	
	Reverse Flow Direction Conversion Kit (11M)	52945K001	
210	Spacer Kit – AL-2300 to 3.5M RPM	55277K001	
	Spacer Kit – 11M CVM to 5.5M RPM	55277K002	
	Spacer Kit – AL-1400 to 1.5M or 3.5M RPM	55277K003	
	Spacer Kit – AL-5000 to 5.5M RPM	55277K004	
	Spacer Kit – 3.5M CVM to 3.5M RPM	55277K005	
	Spacer Kit – 5.3M CVM to 5.5M RPM	55277K006	

Spare Parts List

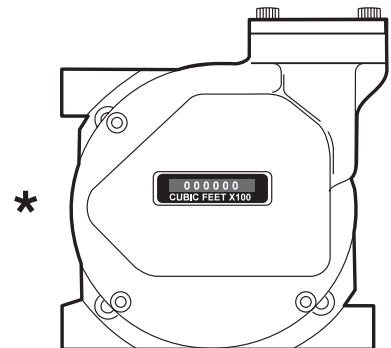
List of C-Class Index Registers, Instrument Drive and Output Pulse Values (Required Setup of T/C Volume per Input Pulse)

Registers (Standard Non-TC)						
Meter Size	English Part Number	Ft ³ /Pulse	Instrument Drive Ft ³ /Rev.	Metric Part Number	M ³ /Pulse	Instrument Drive M ³ /Rev.
8.0C	52994G241	10	10	52994G244	0.1	0.1
9.0C	52994G208	10	10	52994G214	0.1	0.1
11C	52994G242	10	10	52994G245	0.1	0.1
1.5M	52994G209	10	10	52994G215	0.1	0.1
2M	52994G243	10	10	52994G246	0.1	0.1
3.5M	52994G210	10	10	52994G216	0.1	0.1
5.5M	52994G211	10	10	52994G217	1.0	1.0
7M	52994G212	10	10	52994G218	1.0	1.0
11M	52994G213	10	10	52994G219	1.0	1.0
16M	52994G221	10	10	52994G222	1.0	1.0

Registers (CMTC-Temperature Compensated)						
Meter Size	English Part Number	Ft ³ /Pulse	Instrument Drive Ft ³ /Rev.	Metric Part Number	M ³ /Pulse	Instrument Drive M ³ /Rev.
8.0C	52994G127	10	10	52994G141	0.1	0.1
9.0C	52994G127	10	10	52994G141	0.1	0.1
11C	52994G130	10	10	52994G142	0.1	0.1
1.5M	52994G130	10	10	52994G142	0.1	0.1
2M	52994G171	10	10	52994G143	0.1	0.1
3.5M	52994G171	10	10	52994G143	0.1	0.1
5.5M	52994G132	10	10	52994G144	1.0	1.0
7M	52994G133	10	10	52994G145	1.0	1.0
11M	52994G134	10	10	52994G148	1.0	1.0
16M	52994G177	100	100	52994G178	10	10

Note: Other register style *

For RPM Series Rotary Meters manufactured from 1998 through 2005 with Badger front mount registers see Installation Manual IM5700.2, page 5-7 for appropriate part number.



Spare Parts List

CMTC Transducers	
Meter Size	Part Number
8.0	17709P020
9.0C	17709P020
11C	17709P020
1.5M	17709P020
2M	17709P021
3.5M	17709P021
5.5M	17709P021
7M	17709P022
11M	17709P022
16M	17709P022

A Complete Family of Gas Measurement, Pressure Regulation, and Filtration Systems



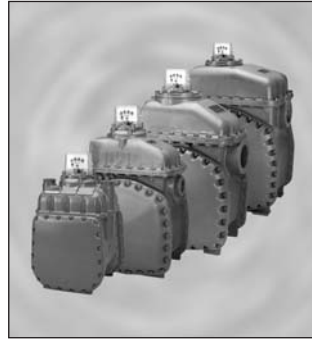
Pre-Calibrated Replacement Cartridges

Tested at atmospheric or actual operating pressure, pre-calibrated measurement cartridges are available for field service changes. Cartridges returned to the factory for re-certification and/or service are tested at five flow rates and at



Rotary Meter with Prefabricated Sets

Prefabricated new or replacement meter sets to customer specifications are available.



Diaphragm Meters

American Meter's compact, lightweight, aluminum case meters are designed to provide positive displacement accuracy for industrial or commercial loads. See bulletin SB 3510 for more information.



Pilot-Loaded Regulators

1800 PFM industrial regulators are designed for applications requiring medium-to-high capacity, extremely precise outlet pressure control, and fast response to changing loads. See bulletin SB 8551 for more information.



Turbine Gas Meters

High performance meters provide accurate measurement of high volume gas flow. Turbines are available from 3" to 12" line sizes and line pressure up to 1440 psig. See bulletin SB 4510 for more information.


**AMERICAN
METER COMPANY**

Measurement Engineers Since 1836

ELSTER  **AMCO**

Represented by:



Filters

Filtration down to 10 microns. Protects meter and regulator stations from dirt and pipe scale damage. See bulletin SB 12521 for more information.



AMERICAN METER

132 Welsh Road,
Suite 140
Horsham, PA 19044-2234
Ph.: 215-830-1800
Fax: 215-830-1890
www.americanmeter.com

ISO 9001: 2000



Certificate No. 006697



CANADIAN METER

275 Industrial Road
Cambridge, Ontario
Canada N3H 4R7
Phone: 519-650-1900
Fax: 519-650-1917
www.canadianmeter.com

American Meter Company has a program of continuous product development and improvement; and, therefore, the information in this bulletin is subject to change or modification without notice.